

TAP GATE - NEW PRODUCT ALERT

GUARD POST CAP



4"



MADE IN USA

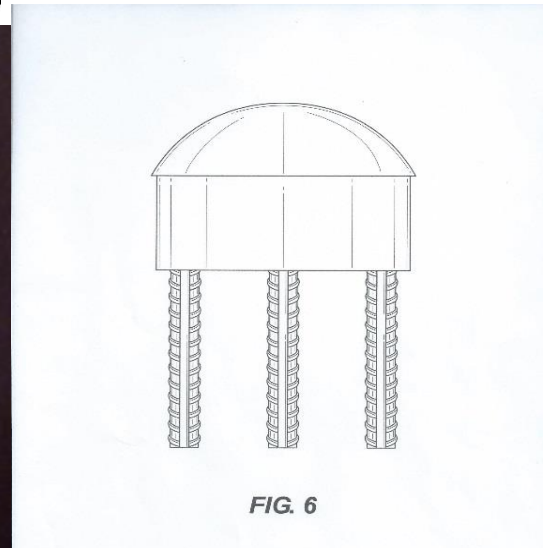


FIG. 6

- SELF CENTERING
- PERMANENT ANCHOR WHEN CONCRETE FILLED
- MEETS OR EXCEEDS INT. FIRE CODE 312.2
- POWDER COAT AVAILABLE



6"



CONTACT US @ 888-969-4286
200 VZ COUNTY RD 4913. BEN WHEELER TX 75754

SOLE PROPERTY OF TAP GATE™ AND CANNOT BE REPRODUCED OR DUPLICATED.

NOTE: THESE ITEMS MAY INCLUDE SOME PARTS THAT ARE PATENT PENDING.

5/4/2016