

# Instructions

Before operating gate ensure that your vehicle is in park and is not in contact with the rollers attached to the gate.

Step 1: Unlock and remove padlock, then remove lock saddle.

Step 2: Push lock arm forward.

Step 3: Swing handle downwards until locked on release catch arm.

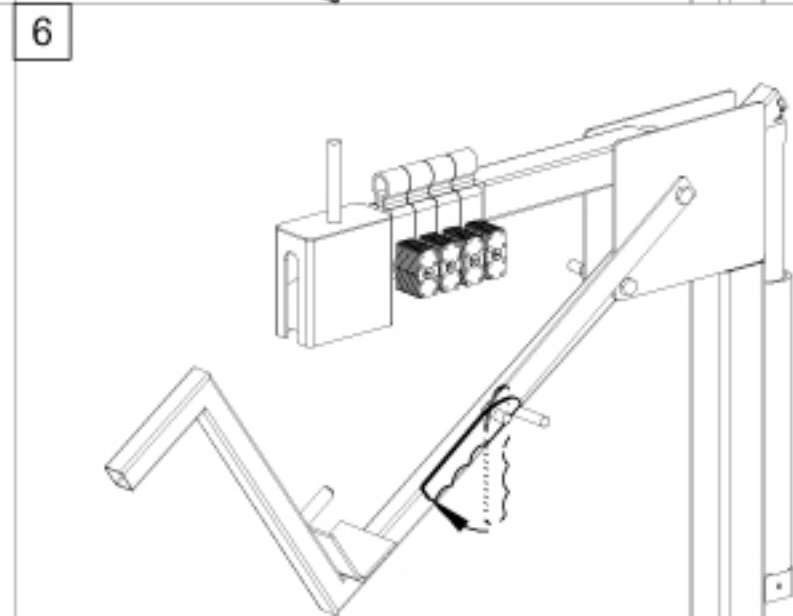
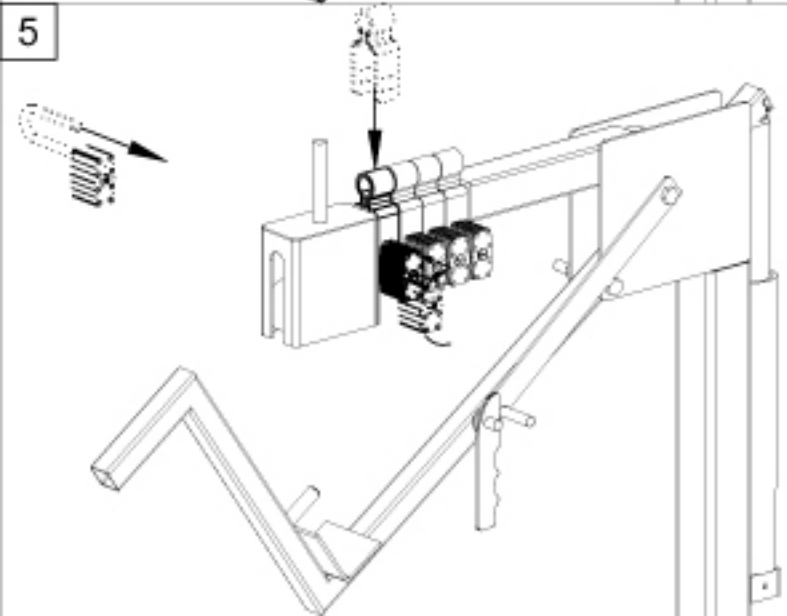
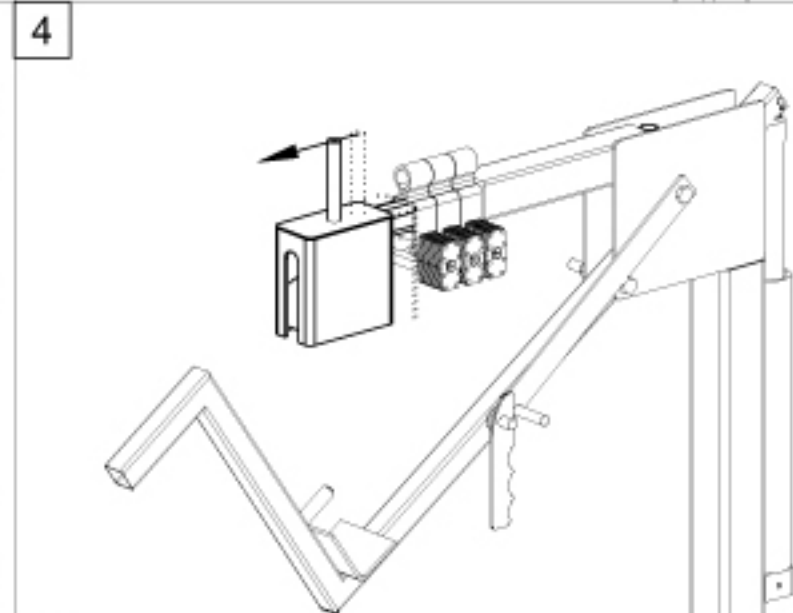
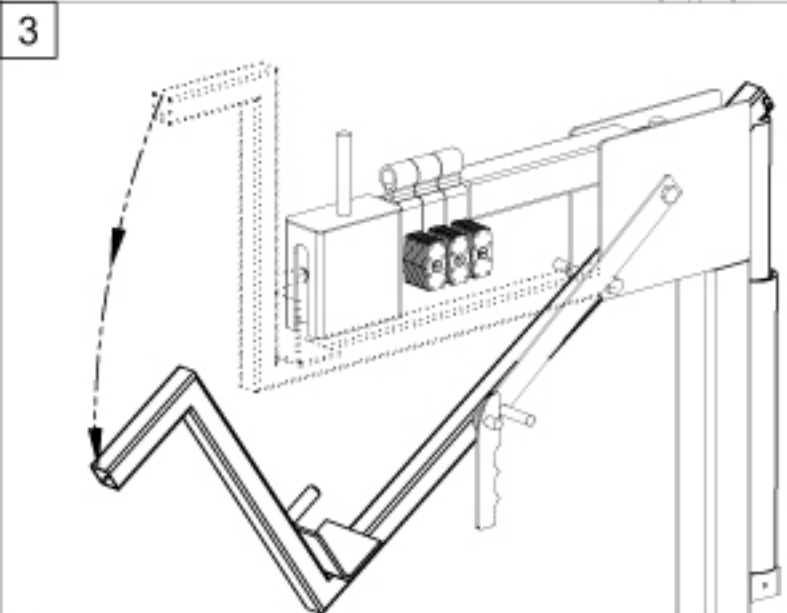
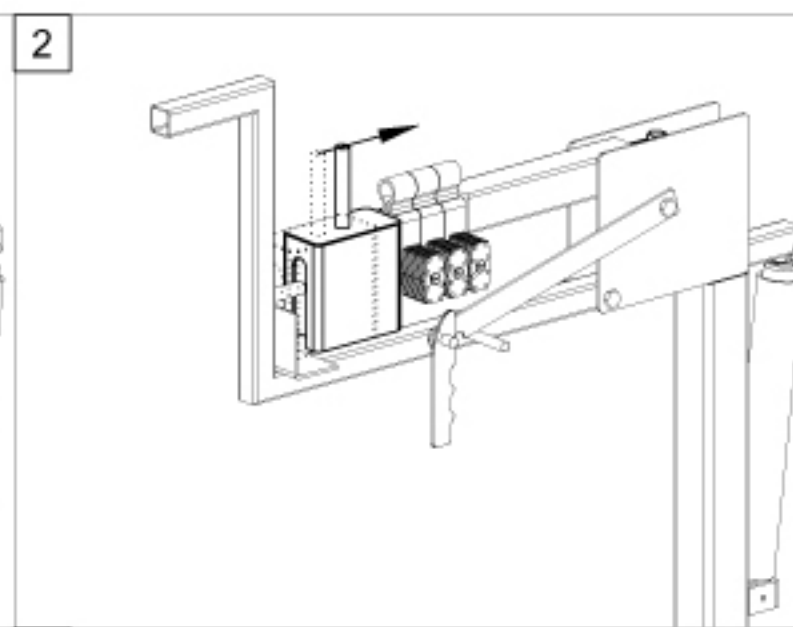
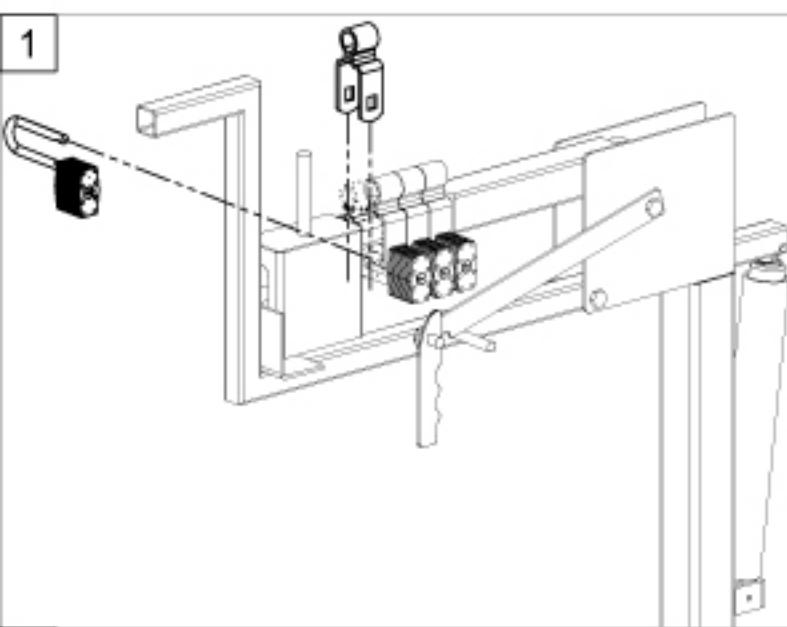
Step 4: Pull lock arm back to original position.

Step 5: Replace lock saddle, then replace and lock Padlock.

Step 6: Pull release catch handle to activate lock timer.

Step 7: Immediately pull forward, gently tapping the roller before handle returns to the upright and locked position.

Always check your rearview mirror to ensure gate has closed and is secure.



**(888) 969-GATE**